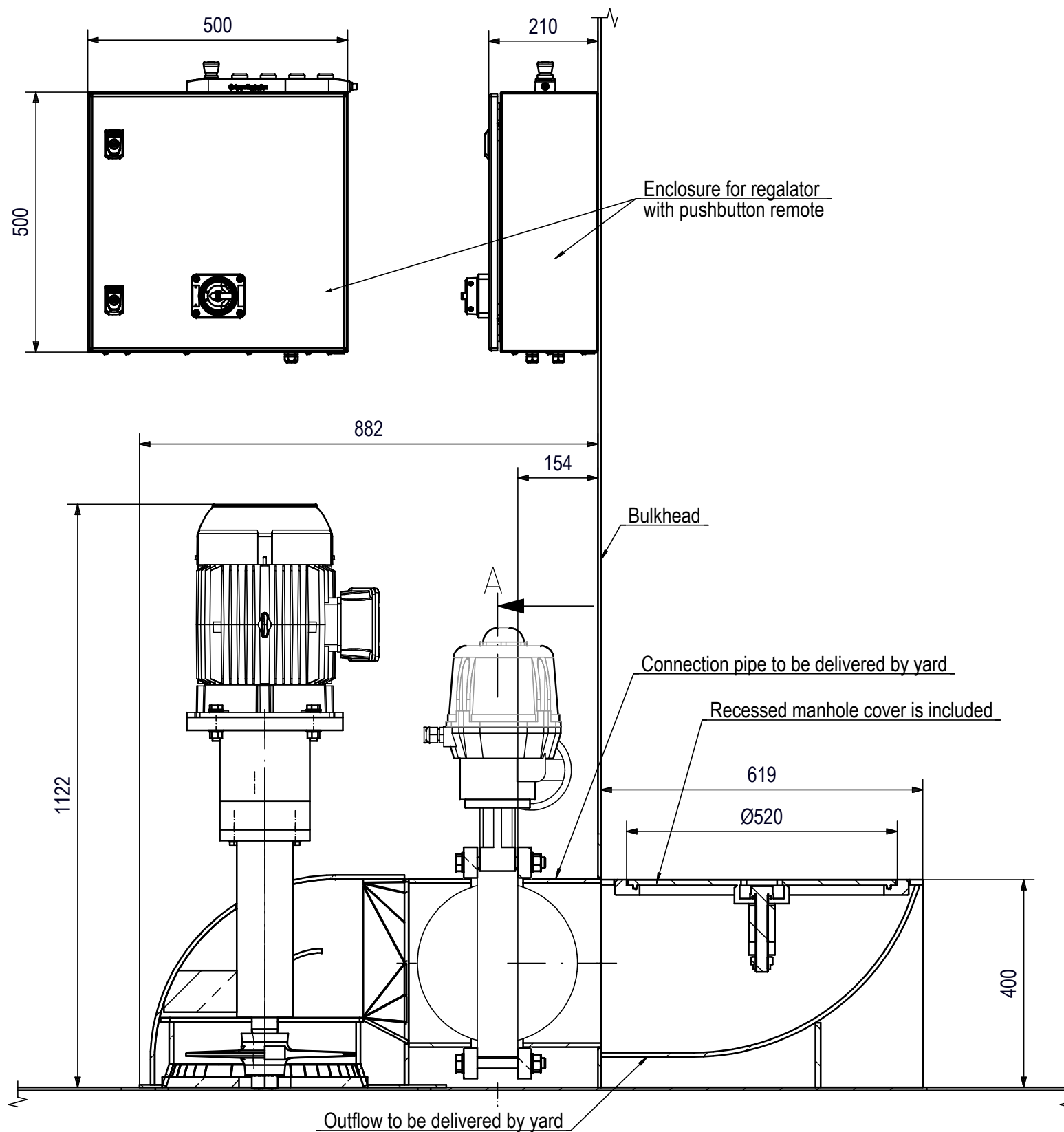
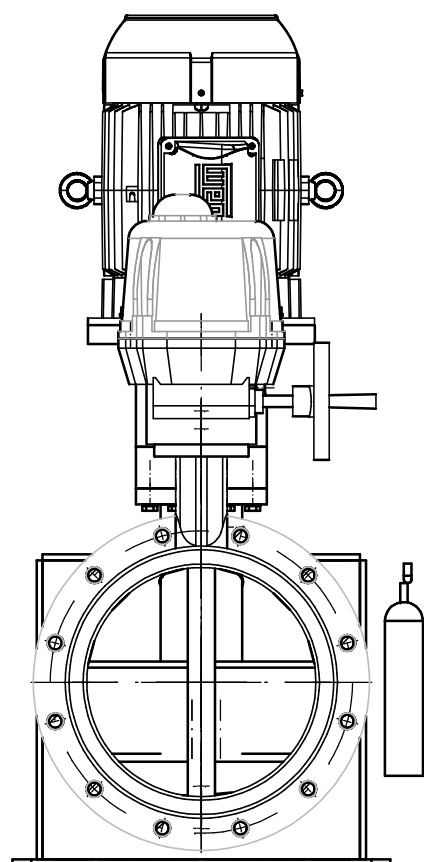



# BALLASTPOMP TYPE PTD V350-7,5-12

- Capacity 800 m<sup>3</sup> / hour
- Standard remote control to be used in the hold
- Optional control from the wheelhouse
- High suction capacity, even when the hold is almost empty, due to low installation under the hold floor
- Manual or electric butterfly valve
- Dirt grille in the bottom suctionbox
- Pipe installation height under truss height 400mm



Section A-A  
(1:10)



 DIESEL MARINE SERVICES <b>DE GROOT</b>	Grevelingenweg 23 3313 LB Dordrecht The Netherlands	Email: info@degrootmarine.com Phone: +31-3039700 Website: www.degrootmarine.com	Execution class: N/A	Dimensions tolerances: According ISO 2768-1
	Overall scale: 1:10 Dimension unit: mm Layout format: A3	Signed by: J. Ippel 30-05-22 Approved by: Approved by:	Rev. A By: Jlp Date: 30-05-22 Revision comment: First issues	Ballastpomp 350 12 inch V350-7,5-12 English
General notes:				Drawing status: Only for information Project: 0 Vesel:
				Drawingnr.: 35739202 Drawingsht.: 2 of 4