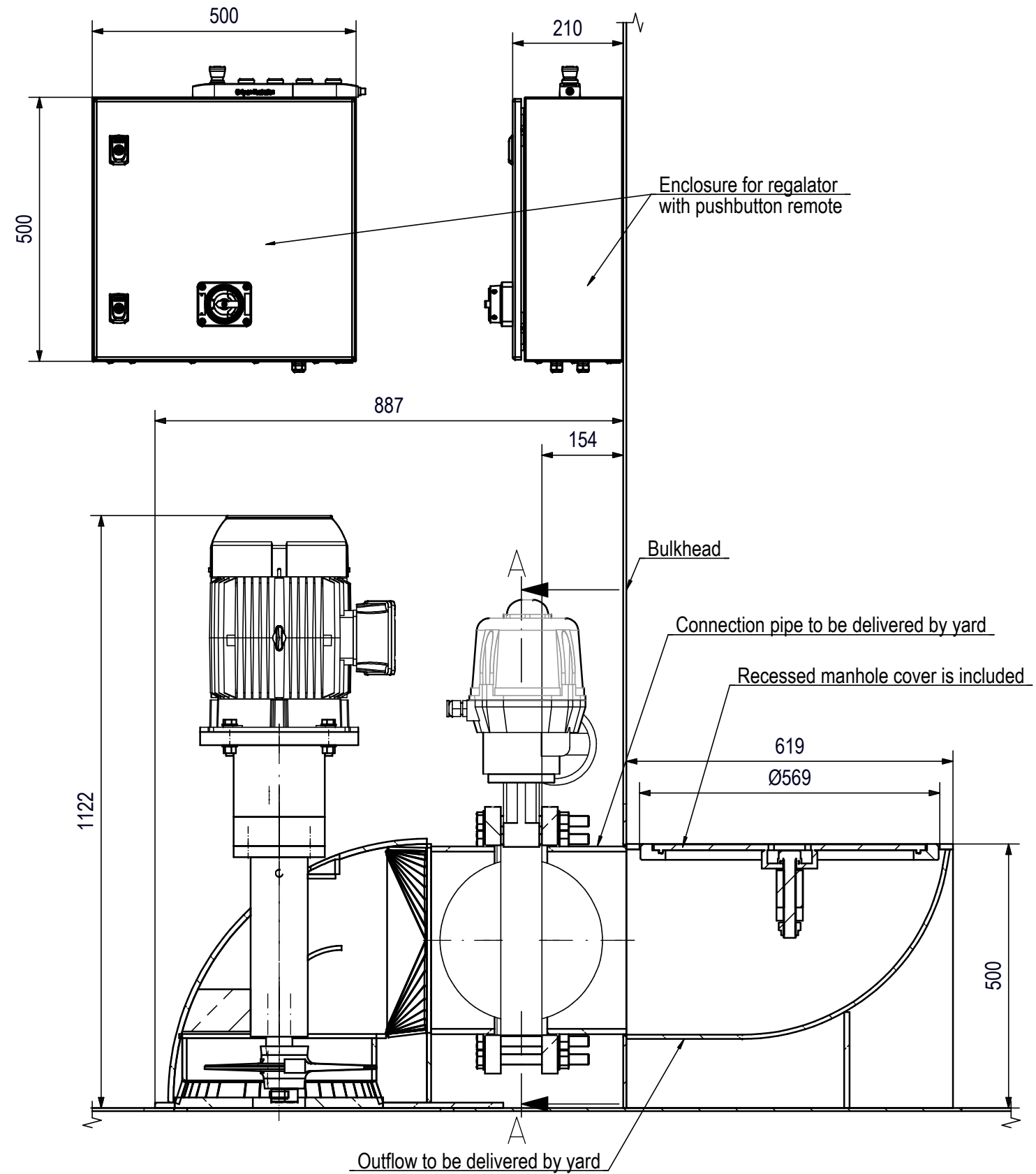
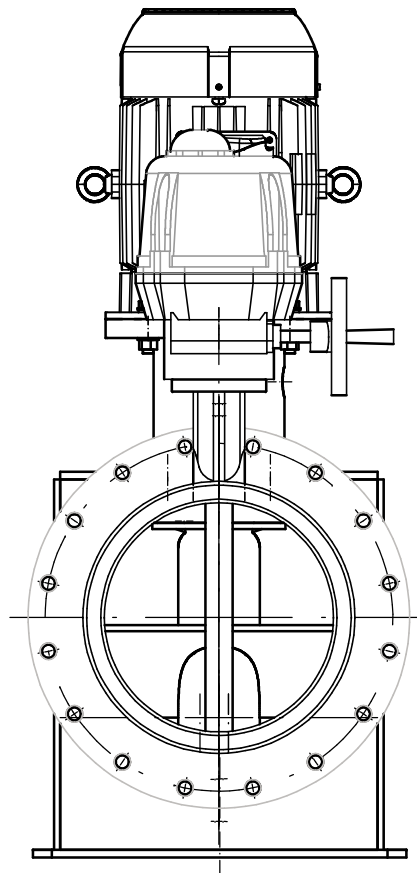


# BALLASTPOMP TYPE PTD V350-11-14

- Capacity 1100 m<sup>3</sup> / hour
- Standard remote control to be used in the hold
- Optional control from the wheelhouse
- High suction capacity, even when the hold is almost empty, due to low installation under the hold floor
- Manual or electric butterfly valve
- Dirt grille in the bottom suctionbox
- Pipe installation height under truss height 500mm



Section A-A  
(1:10)



 3rd angle projection	Grevelingenweg 23 3313 LB Dordrecht The Netherlands	Email: info@degrootmarine.com Phone: +31-3039700 Website: www.degrootmarine.com	Execution class: N/A	Dimensions tolerances: According ISO 2768-1
	Overall scale: 1:10 Dimension unit: mm Layout format: A3	Signed by: J. Ippel 27-07-22 Approved by: Approved by:	Rev. A By: Jlp Date: 27-07-22 Revision comment: First issues	Ballastpomp 350 14 inch V350-11-14 English
General notes:				Drawing status: Only for information Project: Drawingnr.: 35739210 Vesel: Drawingsht.: 2 of 2