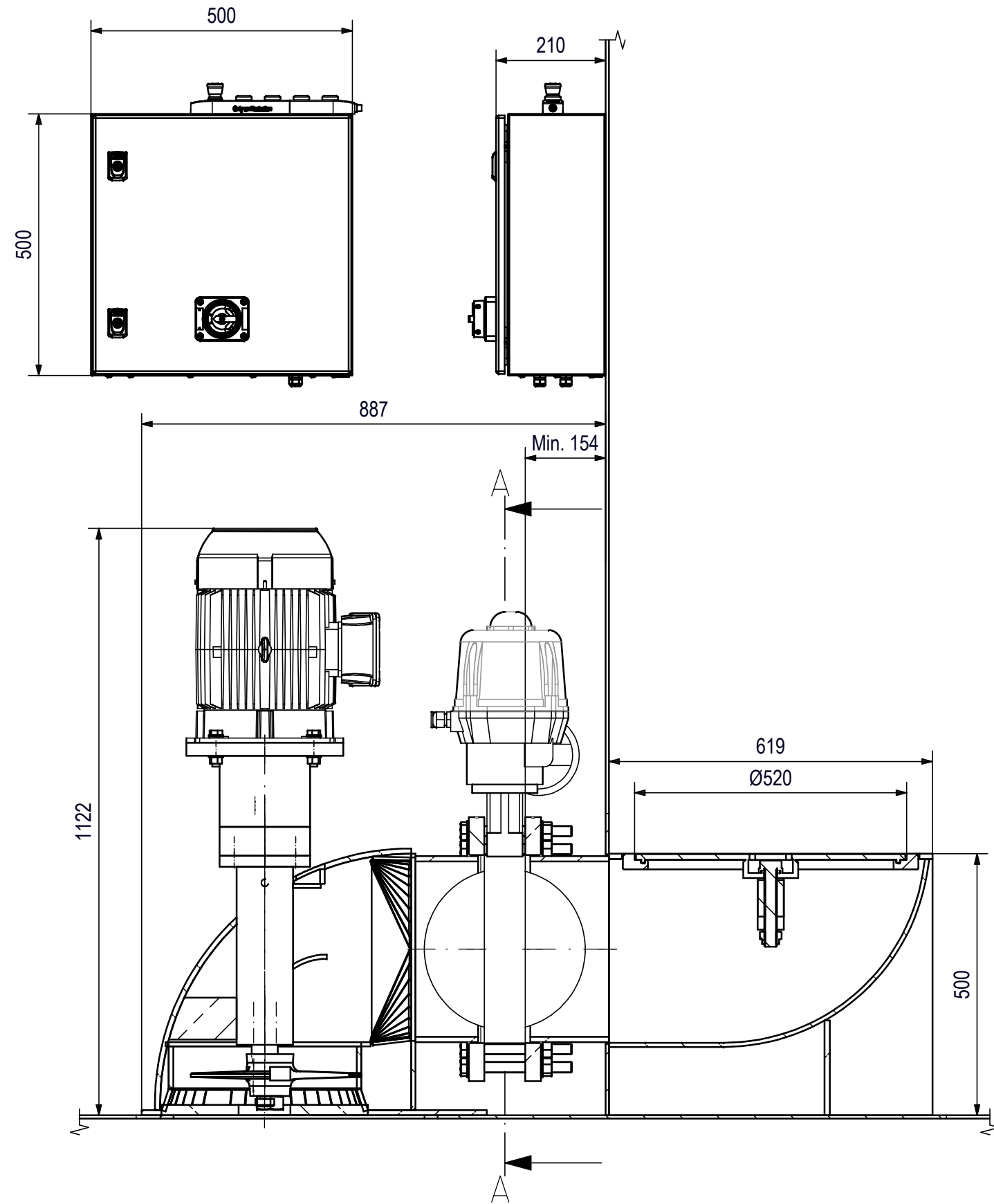
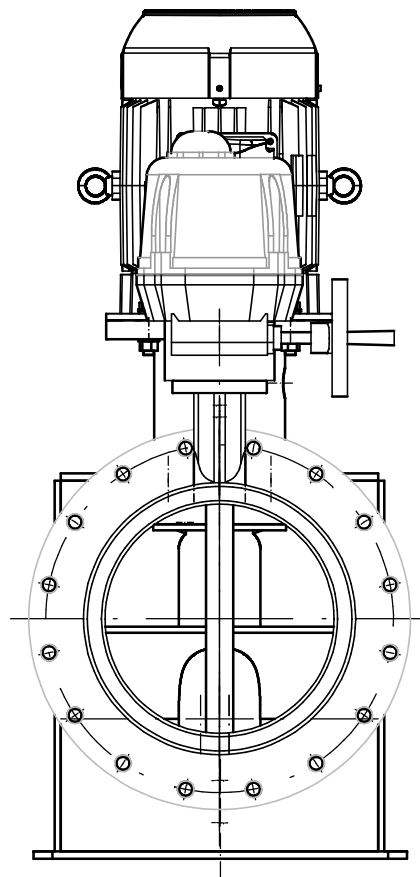



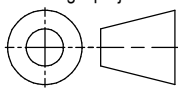
BALLASTPOMP TYPE PTD V350-11-14

- Capaciteit 1100 m³ / uur
- Standaard afstandbediening te gebruiken in het ruim
- Optioneel bediening vanuit de stuurhut
- Hoge aanzuigcapaciteit, ook als het ruim bijna leeg is, door lage inbouw onder ruimvloer
- Handbediend of elektrische vlinderklep
- Vuilrooster in het vlak
- Inbouwhoogte pijp onder spanthoogte 500mm



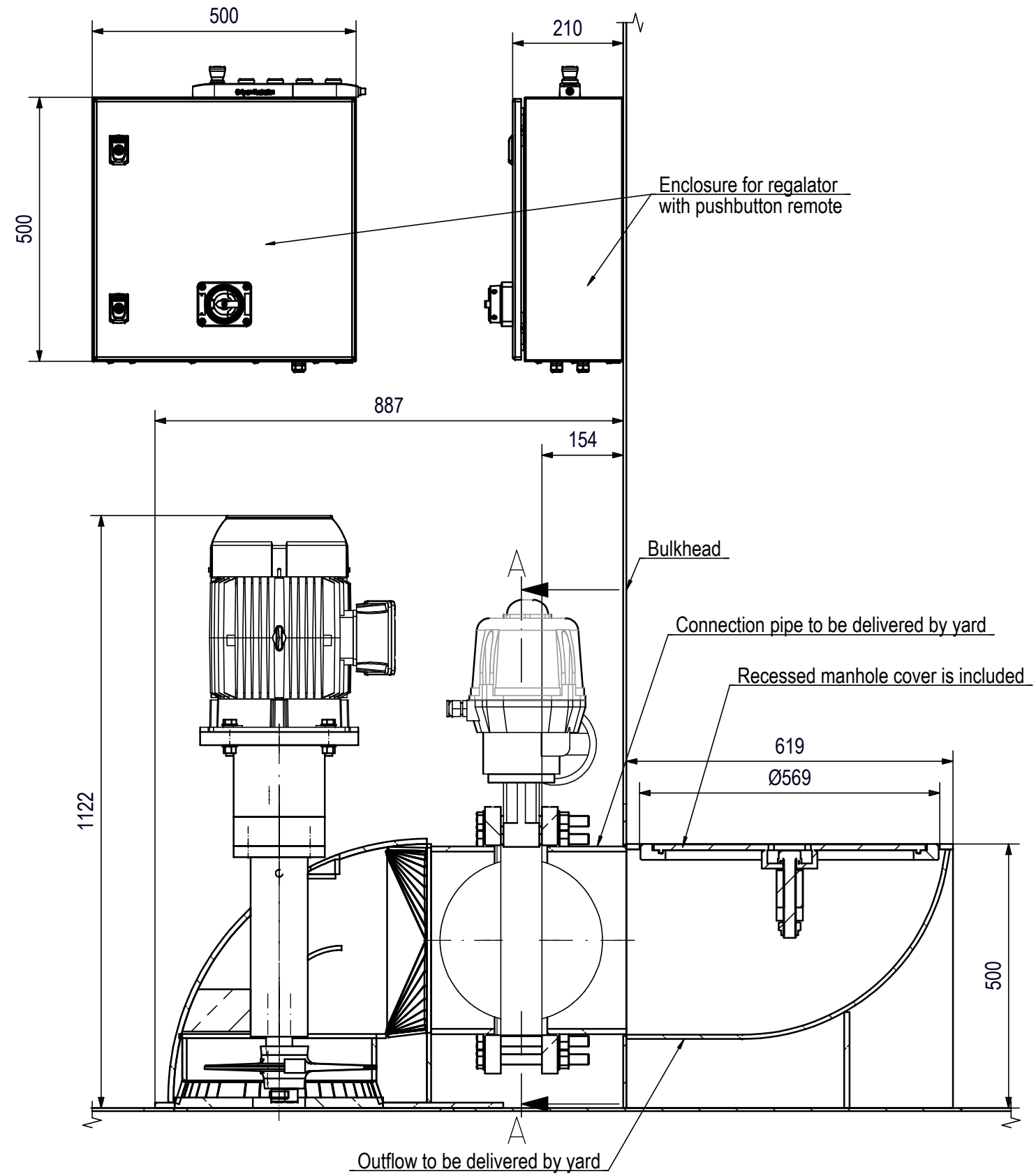
Section A-A
(1:10)



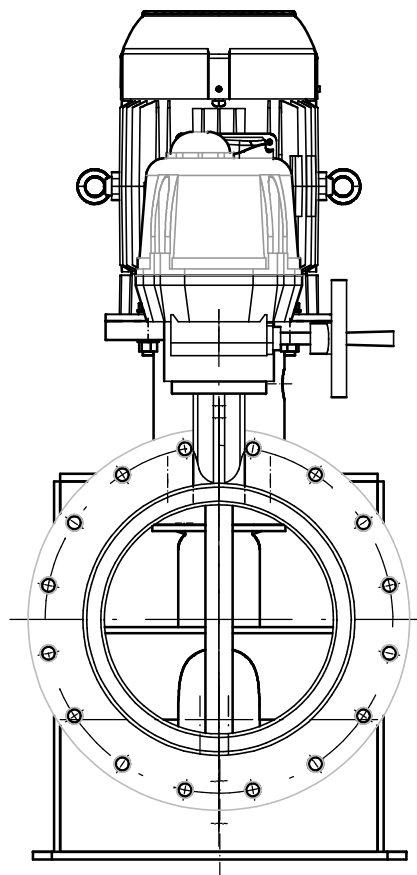
 DIESEL MARINE SERVICES DE GROOT	Grevelingenweg 23 3313 LB Dordrecht The Netherlands	Email: info@degrootmarine.com Phone: +31-3039700 Website: www.degrootmarine.com	Execution class: N/A	Dimensions tolerances: According ISO 2768-1
	3rd angle projection 	Overall scale: 1:10 Dimension unit: mm Layout format: A3	Signed by: J. Ippel 27-07-'22 Approved by: Approved by:	Rev. A By: Jlp Date: 27-07-'22 Revision comment: First issues
General notes:				Drawing status: Only for information Project: Drawingnr.: 35739210 Vesel: Drawingsht.: 1 of 1


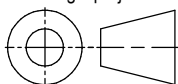
BALLASTPOMP TYPE PTD V350-11-14

- Capacity 1100 m³ / hour
- Standard remote control to be used in the hold
- Optional control from the wheelhouse
- High suction capacity, even when the hold is almost empty, due to low installation under the hold floor
- Manual or electric butterfly valve
- Dirt grille in the bottom suctionbox
- Pipe installation height under truss height 500mm



Section A-A
(1:10)



 DIESEL MARINE SERVICES DE GROOT	Grevelingenweg 23 3313 LB Dordrecht The Netherlands	Email: info@degrootmarine.com Phone: +31-3039700 Website: www.degrootmarine.com	Execution class: N/A	Dimensions tolerances: According ISO 2768-1
	3rd angle projection 	Overall scale: 1:10 Dimension unit: mm Layout format: A3	Signed by: J. Ippel 27-07-22 Approved by: Approved by:	Rev. A By: Jlp Date: 27-07-22 Revision comment: First issues
General notes:				Drawing status: Only for information Project: Drawingnr.: 35739210 Vesel: Drawingsht.: 2 of 2