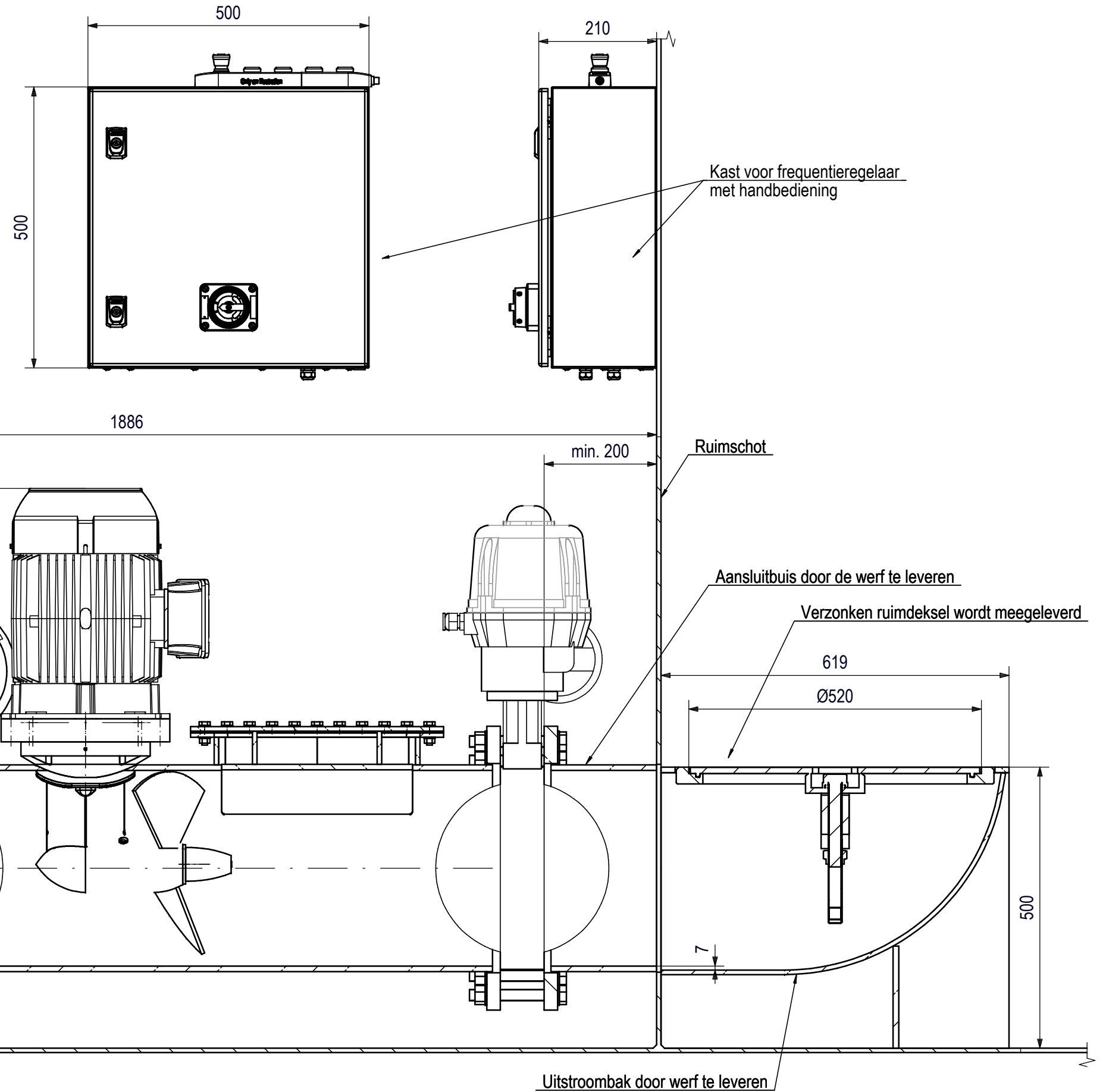


# BALLASTPOMP TYPE PTD H350-11-14

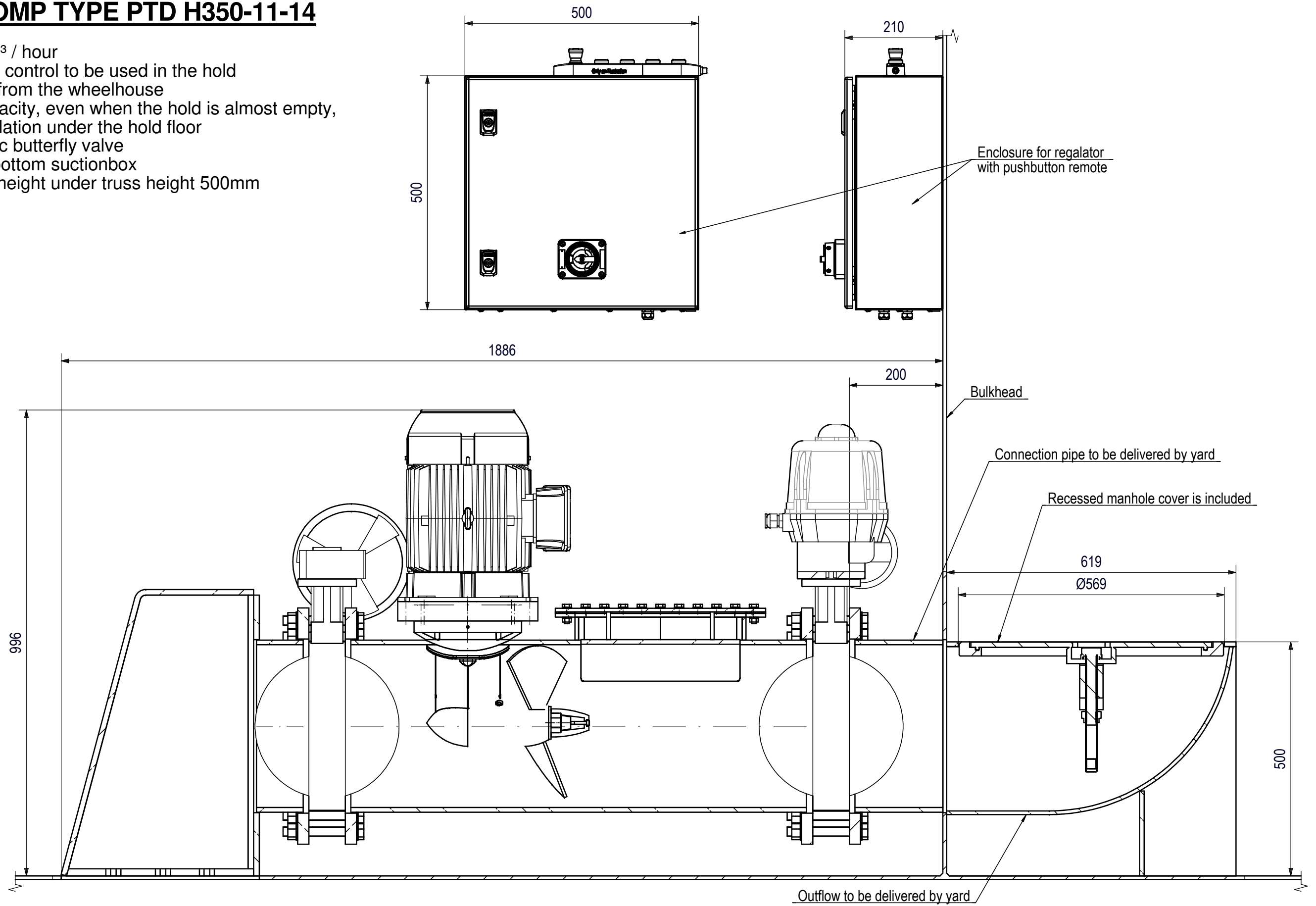
- Capaciteit 1100 m<sup>3</sup> / uur
- Standaard afstandbediening te gebruiken in het ruim
- Optioneel bediening vanuit de stuurhut
- Hoge aanzuigcapaciteit, ook als het ruim bijna leeg is, door lage inbouw onder ruimvloer
- Handbediend of elektrische vlinderklep
- Vuilrooster in het vlak
- Inbouwhoogte pijp onder spanthoogte 500mm




	Grevelingenweg 23 3313 LB Dordrecht The Netherlands	Email: info@degrootmarine.com Phone: +31-3039700 Website: www.degrootmarine.com	Execution class: N/A	Dimensions tolerances: According ISO 2768-1
	3rd angle projection 	Overall scale: 1:8 Dimension unit: mm Layout format: A3	Signed by: J. Ippel 16-04-21 Approved by: Approved by:	Rev. A By: Jlp Date: 16-04-21 Revision comment: First issues
General notes:				Drawing status: Only for information Project: Drawingnr.: 35745601 Vesel: Drawingsht.: 1 of 1

# BALLASTPOMP TYPE PTD H350-11-14

- Capacity 1100 m<sup>3</sup> / hour
- Standard remote control to be used in the hold
- Optional control from the wheelhouse
- High suction capacity, even when the hold is almost empty, due to low installation under the hold floor
- Manual or electric butterfly valve
- Dirt grille in the bottom suctionbox
- Pipe installation height under truss height 500mm

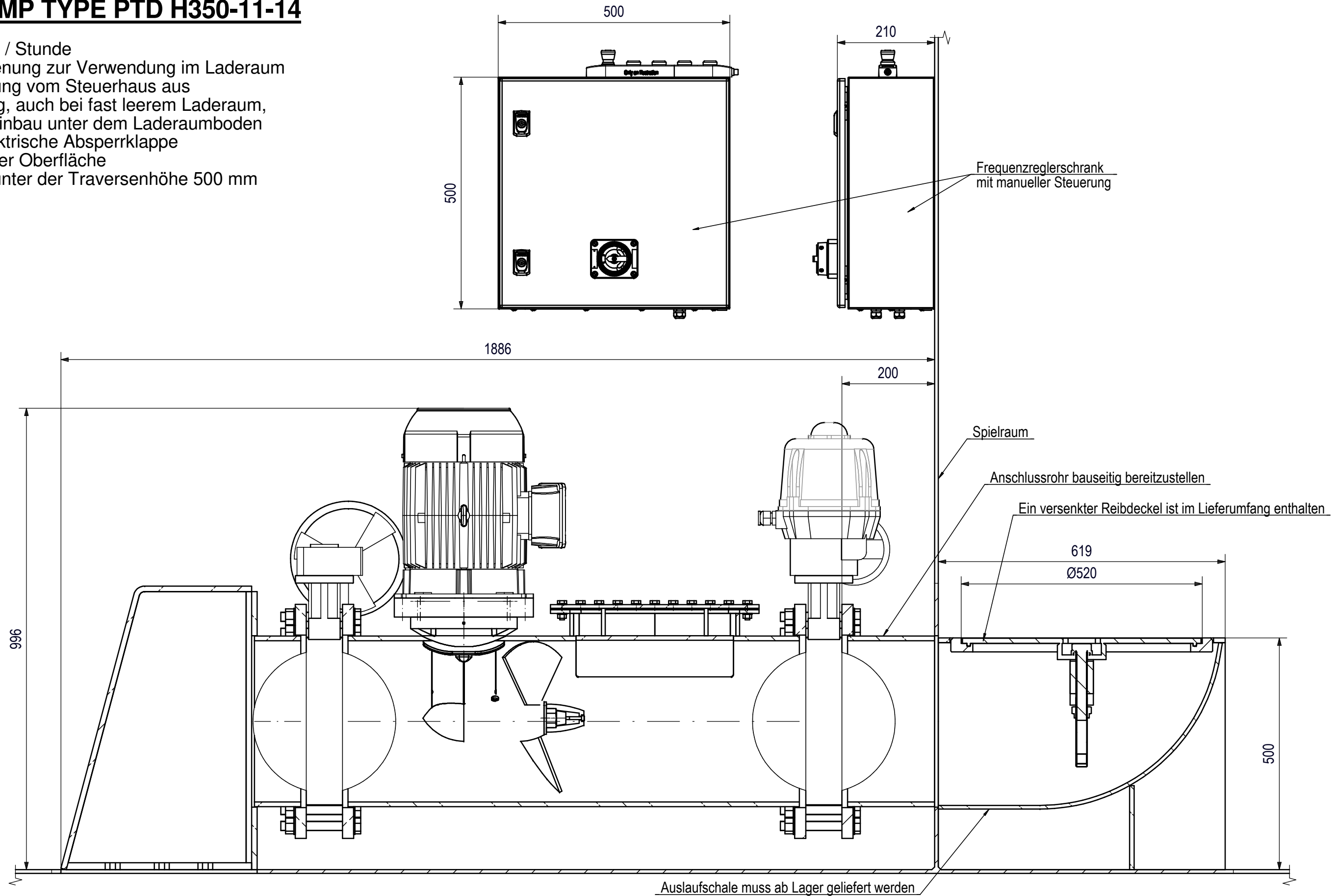


 DIESEL MARINE SERVICES <b>DE GROOT</b>	Grevelingenweg 23 3313 LB Dordrecht The Netherlands	Email: info@degrootmarine.com Phone: +31-3039700 Website: www.degrootmarine.com	Execution class: N/A	Dimensions tolerances: According ISO 2768-1
	Overall scale: 1:8 Dimension unit: mm Layout format: A3	Signed by: J. Ippel Approved by: Approved by:	16-04-21 Rev. A By: Jlp Date: 16-04-21 Revision comment: First issues	H350-11-14 Inbouw maten English
General notes:				Drawing status: Only for information Project: Drawingnr.: 35745601 Vesel: Drawingsht.: 2 of 4

This drawing contains proprietary and confidential information, copyright of DE GROOT DIESEL MARINE SERVICE, not to be reproduced or duplicated without approval of drawing owner.

# BALLASTPOMP TYPE PTD H350-11-14

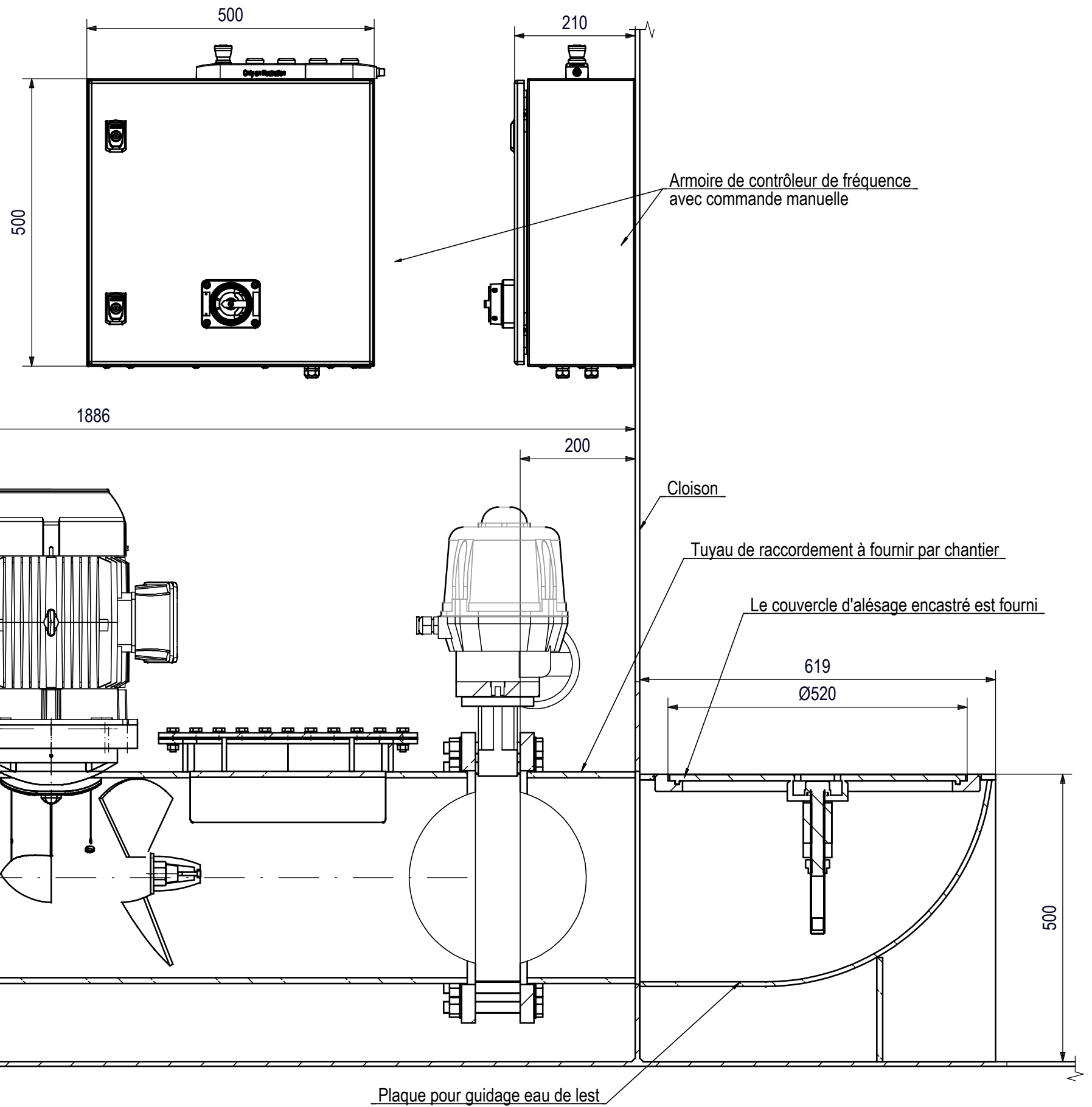
- Kapazität 1100 m<sup>3</sup> / Stunde
- Standardfernbedienung zur Verwendung im Laderaum
- Optionale Bedienung vom Steuerhaus aus
- Hohe Saugleistung, auch bei fast leerem Laderaum, durch niedrigen Einbau unter dem Laderaumboden
- Manuelle oder elektrische Absperrklappe
- Schmutzgitter in der Oberfläche
- Rohreinbauhöhe unter der Traversenhöhe 500 mm



	Grevelingenweg 23 3313 LB Dordrecht The Netherlands	Email: info@degrootmarine.com Phone: +31-3039700 Website: www.degrootmarine.com	Execution class: N/A	Dimensions tolerances: According ISO 2768-1
	3rd angle projection 	Overall scale: 1:8 Dimension unit: mm Layout format: A3	Signed by: J. Ippel 16-04-21 Approved by: Approved by:	Rev. A By: Jlp Date: 16-04-21 Revision comment: First issues
General notes:				Drawing status: Only for information Project: Drawingnr.: 35745601 Vesel: Drawingsht.: 3 of 4

# BALLASTPOMP TYPE PTD H350-11-14

- Capacité 1100 m<sup>3</sup> / heure
- Télécommande standard à utiliser en soute
- Commande optionnelle depuis la timonerie
- Grande capacité d'aspiration, même lorsque la cale est presque vide, en raison de l'installation faible sous le plancher de soute
- Vanne papillon manuelle ou électrique
- Grille anti-poussière en surface
- Hauteur d'installation du tuyau sous la hauteur de la ferme 500 mm



	Grevelingenweg 23 3313 LB Dordrecht The Netherlands	Email: info@degrootmarine.com Phone: +31-3039700 Website: www.degrootmarine.com	Execution class: N/A	Dimensions tolerances: According ISO 2768-1
	3rd angle projection 	Overall scale: 1:8 Dimension unit: mm Layout format: A3	Signed by: J. Ippel 16-04-21 Approved by: Approved by:	Rev. A By: Jlp Date: 16-04-21 Revision comment: First issues
General notes:				Drawing status: Only for information Project: Drawingnr.: 35745601 Vesel: Drawingsht.: 4 of 4

357456-101-REVA-BALLASTPOMP H350. SZA